

escea.

IB850 and IB600

Installation Manual

AUSTRALIAN EDITION



Important:

The appliance shall be installed in accordance with;

- This installation instruction booklet
- Local gas fitting regulations
- Municipal building codes
- Electrical wiring regulations
- AS 5601, *Gas installations*
- Any other relevant statutory regulations.
- Must be installed by a qualified person
- Must be installed with an Outer Skin Kit (Separate Kit)

This appliance is not intended for use by young children or infirm persons unless they have been adequately supervised by a responsible person to ensure that they can use the appliance safely.

Young children should be supervised to ensure that they do not play with the appliance.

Manufactured by: Escea Ltd, PO Box 5277 Dunedin NZ, Ph: 03 479 0302, e: info@escea.co.nz

Distributed by: Glen Dimplex, Unit 2, 205 Abbotts Road, Dandenong, Melbourne. Ph: +61 3 87873567

Note:

THERE ARE A FEW THINGS TO CONSIDER BEFORE INSTALLATION

- Cavity Dimensions, Clearances, and fitting the Outer Skin Kit
- **MUST** be installed 100mm minimum off the floor
- Coupling of flue to fire
- Coupling of gas lines to fire
- Fixing the fire to cavity
- Electrical mains connection at rear left corner
- Gas pipe placement to the front right of the cavity.

The sequences you choose to do these tasks will vary on your individual scenario. Please read these instructions fully before proceeding with your installation. Leave the installation of the fascia panels until the very end of the installation and commissioning to avoid damage to the fascia panels.

WARNING:

Failure to follow these instructions could cause a malfunction of the heater, which, could result in death, serious bodily injury, and/or property damage. Failure to follow these instructions may also void your fire insurance and/or warranty.

Installation:

Installation must be carried out by a registered installer who, on completion of the installation, must issue a certificate of compliance, in accordance with national and/or local codes. If a certificate of compliance is not issued then the Escea warranty *may* be void.

This appliance needs fresh air for safe operation and must be installed with provisions for adequate combustion and ventilation air available to the room in which it is to be operating.

Warranty Repair and Annual Servicing:

Warranty repair work must be carried out by a recognised Escea gas fire technician. It is recommended that recognised Escea Gas fire technicians are also used to carry out annual servicing requirements (particularly during the warranty period). For contact details of authorised Escea technicians in your area, please contact the retailer from whom the appliance was purchased.

The heater must be installed according to these instructions and in compliance with all relevant building, gas fitting, electrical and other statutory regulations (eg. AS 5601). Any shortcomings in the appliance and flue installation will be the responsibility of the installer, and Escea will not be accountable for any such failings or their consequences.

Contents:	Section:
• Product Description_____	1.0
• Creating the Outer Skin Kit Cavity_____	2.0
• Hearth_____	3.0
• Raising the fire up a wall_____	4.0
• Wall Linings_____	5.0
• Mantle Clearance_____	6.0
• Television Clearance_____	6.1
• Corner Installations_____	7.0
• Power Supply_____	8.0
• Installing the Flue System_____	9.0
• Laying Gas Pipe_____	10.0
• Assembling the Zero Clearance Kit_____	11.0
• Fix the Outer Skin Kit (OSK) into the cavity_____	12.0
• Insert the Flue Support Bracket_____	13.0
• Preparing the heater for installation into the OSK____	14.0
• Removing the front glass_____	15.0
• Connecting Flue to Heater_____	16.0
• Connecting the Gas Pipe_____	17.0
• Fixing the Heater to the base and wall_____	18.0
• Locating the log set_____	19.0
• Electrode placement_____	20.0
• Checking Operating Pressure_____	21.0
• Fitting the Fascia Panels_____	22.0
• Locating Wall Mount Cradle for wireless control ____	23.0
• Normal operating sounds and smells_____	24.0
• Installation Check List_____	25.0

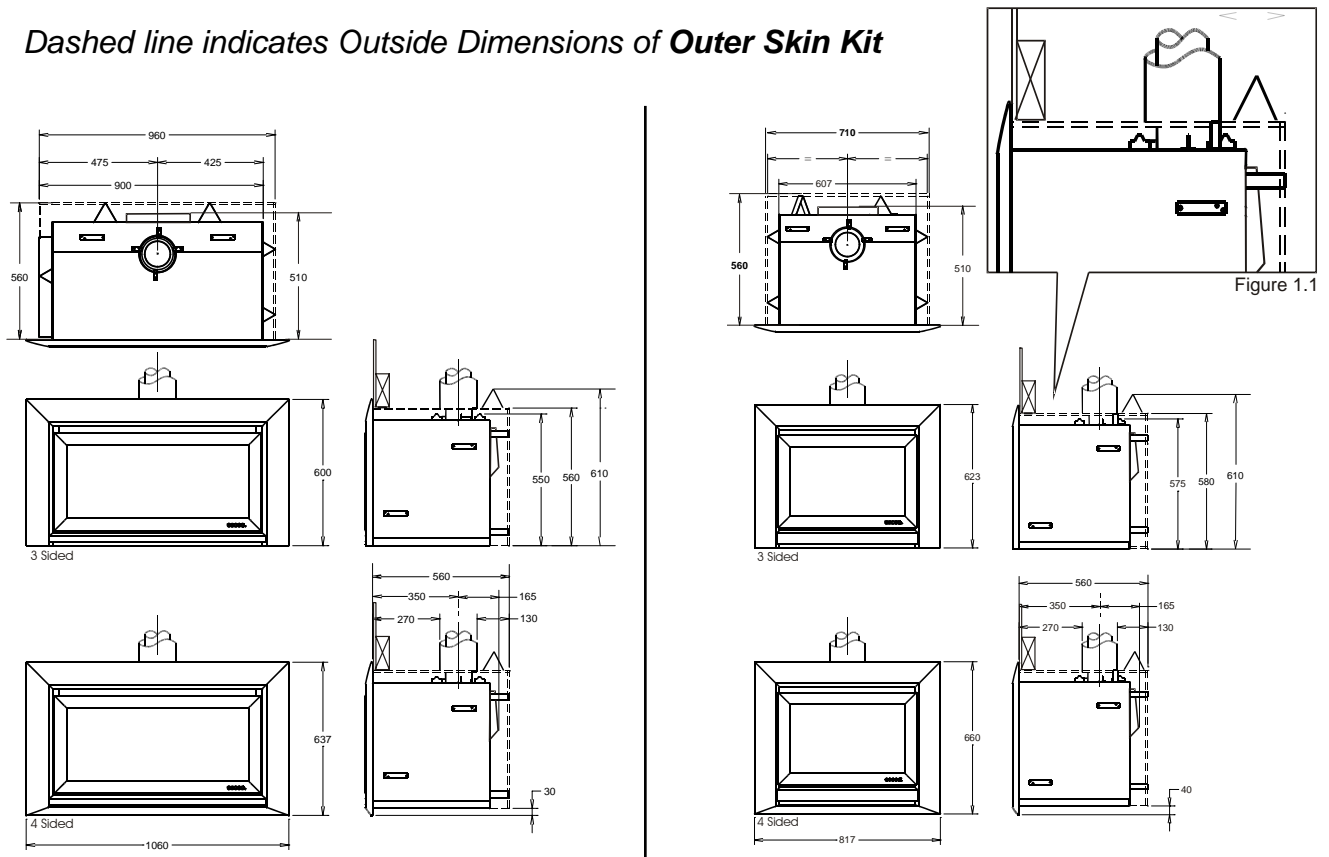
1.0 Product Description:

The Escea IB850 and IB600 gas fires are designed to be built into a cavity. Both appliances are flued conventionally via a Ø100mm flue system.

The user will control their fire with the Radio Frequency (RF) remote that will normally be left in its wall mount cradle. In addition to the RF remote it has a single auxiliary On/Off button on the unit. When not in operation it is in a standby mode unless it is physically isolated from the mains supply.

1.1 The Escea IB850 and IB600 **Outer Skin Kit** must be used with **ALL** installations. They seal the cavity and also prevent any combustible material surrounding from getting excessively hot.

Dashed line indicates Outside Dimensions of Outer Skin Kit



2.0 Creating the Cavity:

The dimensioned drawing below shows the size of opening that must be created to fit the Outer Skin Kit. **Note:** The front lined wall will need to be finished after the OSK is installed. The wall will need to drop down lower than the cavity created behind, see figure 1.1 above.

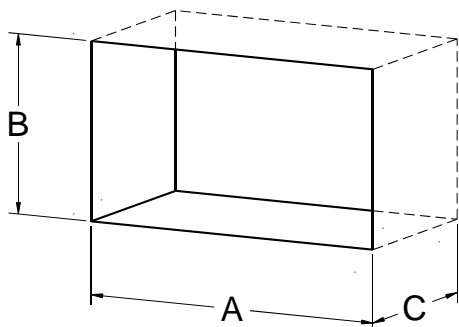
Note: It is not necessary to line the cavity.

IB850

Minimum Cavity Dimensions:

All dimensions in millimetres

IB600

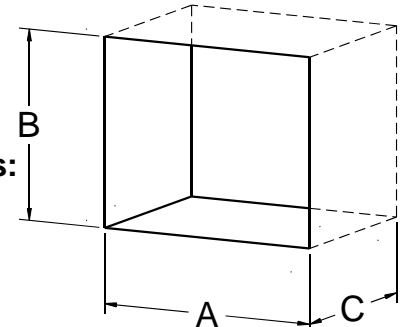


	A	B	C
IB600	705	630	565
IB850	955	610	565

Maximum Cavity Dimensions:

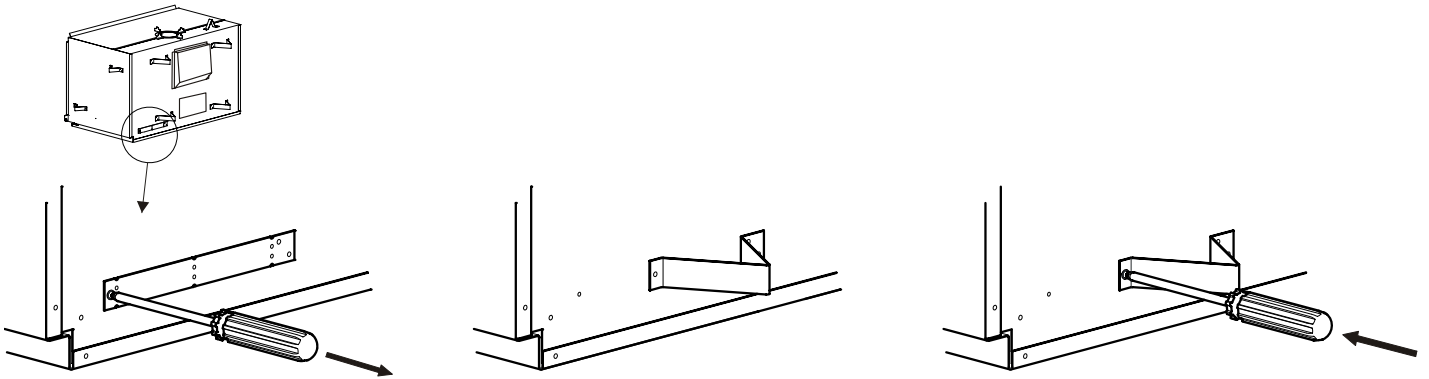
All dimensions in millimetres

	A	B	C
IB600	735	-	-
IB850	985	-	-



2.1 Where possible, it is recommended that cavity is made slightly larger than the above dimensions to give the installer the maximum amount of space to work in.

- 2.2 When fitting the heater, the first thing installers **MUST** do after unpacking the fire is to bend and re-fix the triangle shaped spacers on each side and rear of the heater. The picture below shows how this is done.



3.0 **Hearth:**

Hearths should be at least as wide as the fire's outer fascia and no less than 10mm thick.

Raised hearths can be any thickness but must also be constructed from non combustible materials.

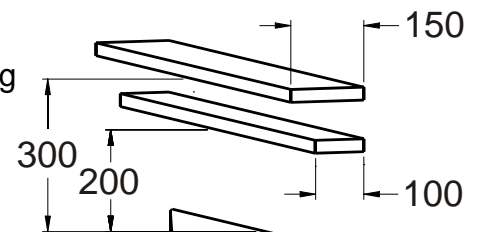
4.0 **Raising the fire up a wall:**

This fire must be installed **100mm** off the floor.

- 5.0 **Wall Linings:** The wall board that lines the outside of this opening can be normal dry wall (Plaster Board) and does not need to be non-combustible providing that it does not come any closer to the fire than the dimensions shown in section 2.0. **Note:** The temperature of the wall lining directly above the heater does get warm and hence may discolour paint finishes that are susceptible to temperature damage or distort vinyl wall coverings. For durability of finishes and surfaces you should contact the relevant manufacturer for their specification.

6.0 **Mantle Clearance:**

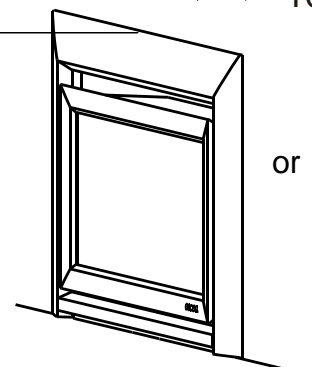
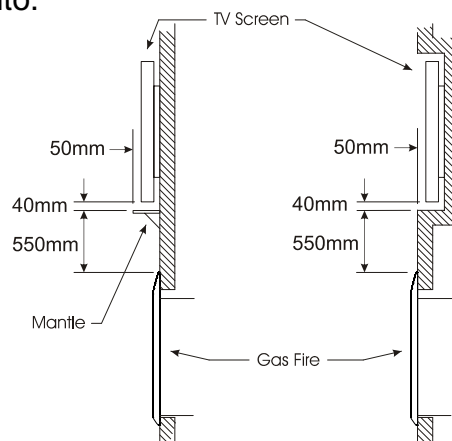
Please refer to the diagram to the right. Mantles or protruding ledges mounted above the heater that are made from combustible materials, must not extend from the wall out side of the dimensions shown.



6.1 **Television Clearances:**

The following are the recommended minimum clearances for the location of any electrical equipment (such as Plasma TV, LCD TV or home theatre) above an Escea IB Series gas fire. Use either a shelf mantle below your TV screen or alternatively you can construct a recess to mount your TV screen into.

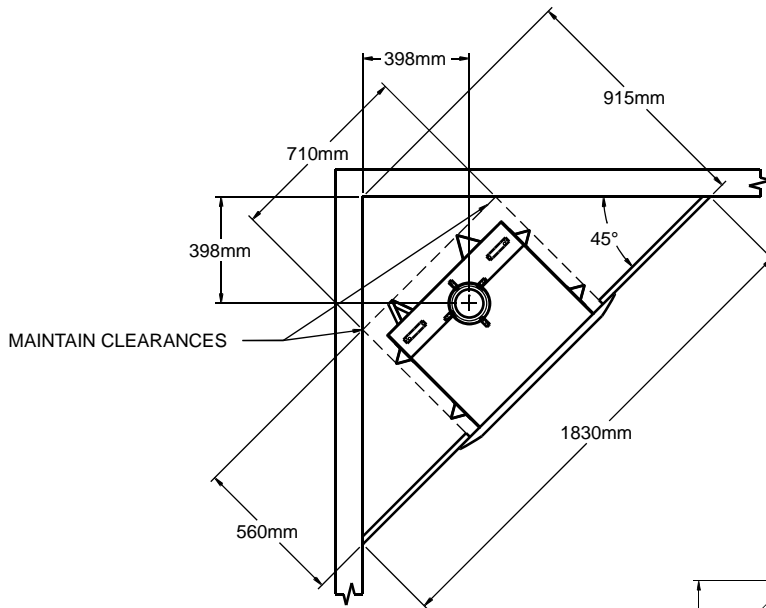
Note: The above television clearance recommendations are to be treated as a suggestion of a suitable installation only. It is the responsibility of the end user to check the installation instructions of their electrical appliances to ensure that the location in relation to the gas fire, is suitable. Escea in no way guarantees or takes responsibility that the above installation suggestion will be suitable for all electrical or home entertainment appliances.



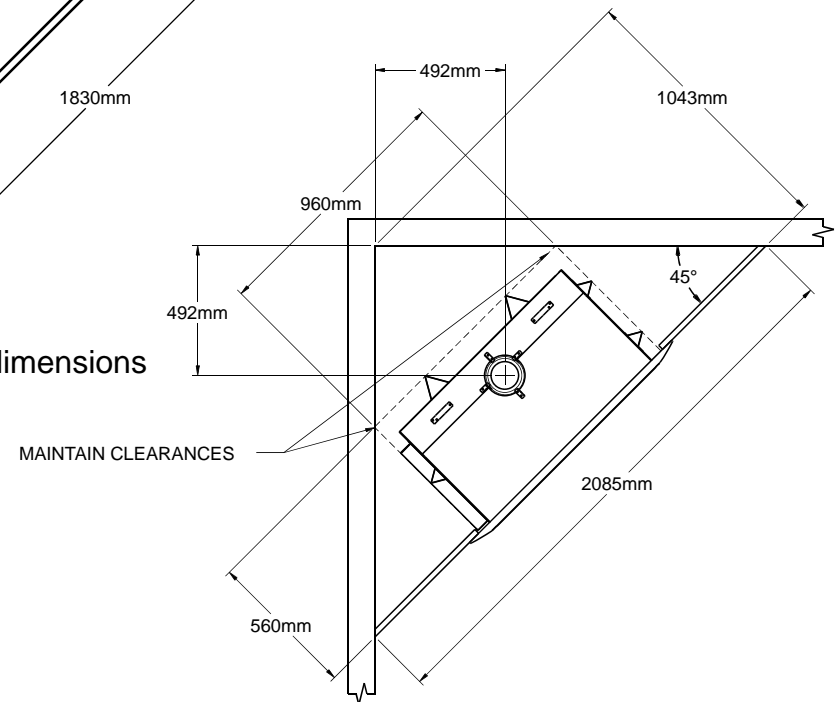
7.0 Corner Installations:

If a cavity is to be created in a corner, the following drawings give the minimum sized interior wall and resultant flue position.

7.1 IB 600 minimum corner install dimensions:

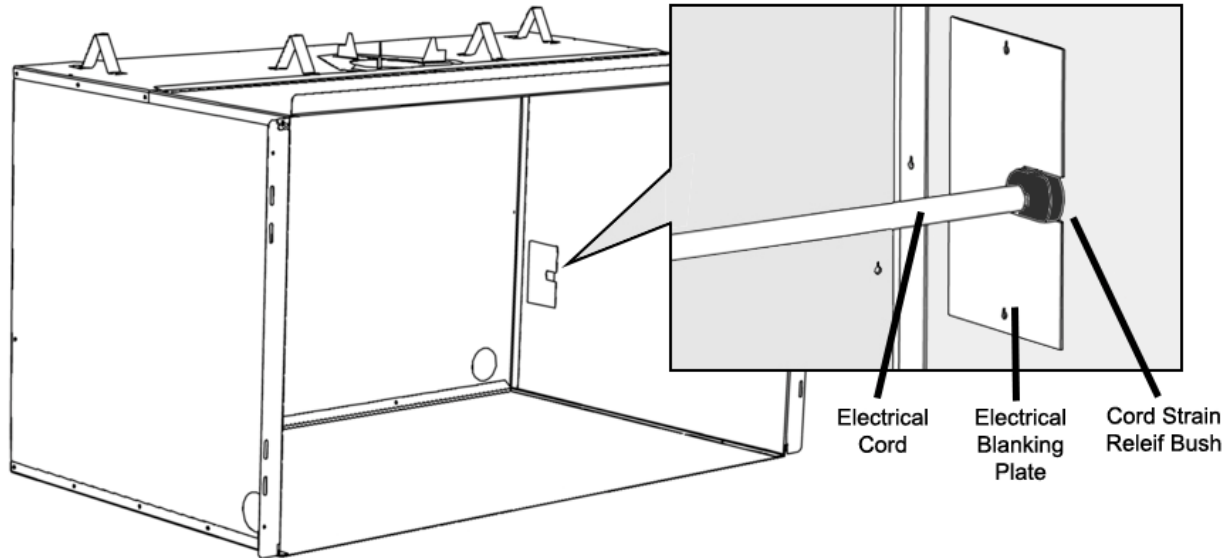


7.2 IB 850 minimum corner install dimensions



8.0 Power Supply:

Locating the plug within the cavity makes the installation very neat but the provision must be made to be able to switch the power supply off and on (electrical isolation switch) and must be accessible after the heater has been installed. This is normally done by means of a separate switch located outside of the cavity and wired to the plug. This will allow service technicians to isolate the power supply before performing service work on the appliance.



The electrical cord (either of the fire, or an extension cord) should pass through the Outer Skin Kit as shown, through the supplied Cord Strain Relief Bush.

- 8.1 This appliance will draw a maximum of 1.2 Amps from a 240V supply.
No additional power telephone wiring is needed for the i-con phone switch.

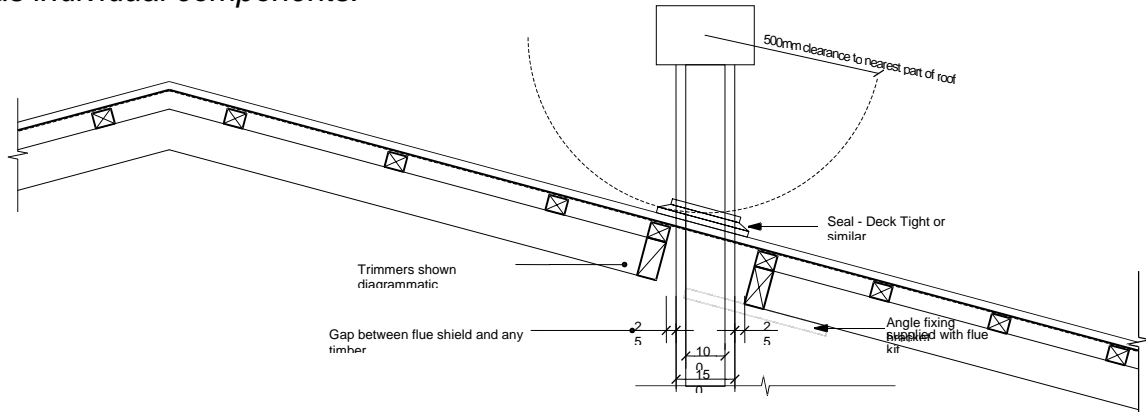
**9.0 Installing the Flue System:
Non-Masonry Cavity:**

The heater must be flued to the outside via a 100mm diameter stainless steel flue that is covered by a 150mm diameter liner. This must be installed in accordance with the requirements of AS5601 and local codes

The minimum flue length = 3.6m

The flue and liner must be supported

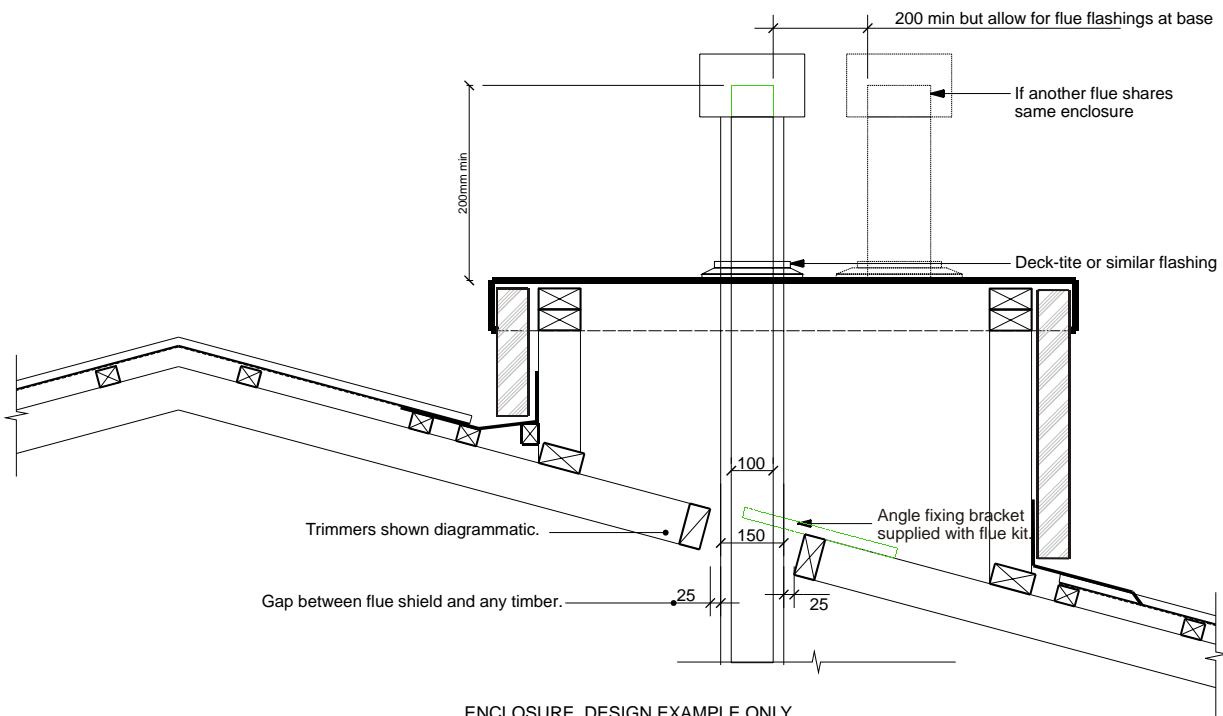
9.2 The top of the flue must be capped with an appropriate and approved anti down draft cowl. *All the required flue components are available from your Escea dealer in both kitset form and as individual components.*



LONG SECTION THROUGH FLUE

GENERAL CONSTRUCTION AND CLADDING SHOWN AND IS INDICATIVE ONLY

ALL INSTALLATION & FLUING MUST COMPLY WITH AS5601



LONG SECTION THROUGH FLUE ENCLOSURE

GENERAL CONSTRUCTION AND CLADDING SHOWN INDICATIVE ONLY

FROM AS5601, please ensure compliance to all other relevant sections of this code.

2.6.13 FLUE TERMINALS

2.6.13.1 Location

The termination point of a flue shall be located in relation to any associated building and to neighbouring structures so that wind from any direction is not likely to create a downdraught in the flue or chimney.

Except where 2.6.13.3 applies, a flue terminal shall:

- (a) Be at least 1m horizontally from a neighbouring structure; or
- (b) If less than 1m horizontally from a neighbouring structure, be at least 500mm above that structure;
- (c) Be at least 1.5m from any opening into a building; and
- (d) Be at least 200mm from another flue terminal.

2.6.13.2 Terminating a flue above a roof

Where a flue is to terminate above:

- (a) A roof; the end of the flue shall be at least 500mm from the nearest part of the roof;
- (b) A trafficable roof designed for personal or public use, the end of the flue shall be at least 2m above the roof level and at least 500mm above any surrounding parapet; or
- (c) A chimney, the end of the flue shall be at least 200mm from the nearest part of the chimney.

NOTE-

- (1) The distance is measured before the cowl is fitted to the end of the flue
- (2) (NA)
- (3) (NA)

2.6.13.3 Location of a flue terminal other than above a roof
(NA)

9.3 **Masonry Cavity and Chimney:**

The heater can be flued with 100mm flexible aluminum ducting in accordance with AS5601. This single skinned flue must only be used where the path of the duct never comes into contact with combustible materials.

9.4 The top of the flue must be capped with an appropriate and approved anti down draft cowl.

Note: *Chimney liner flue kits intended for other brands of heater may not fit. Escea flue spigot is 100mm inside diameter.*

10.0 **Laying Gas Pipe:**

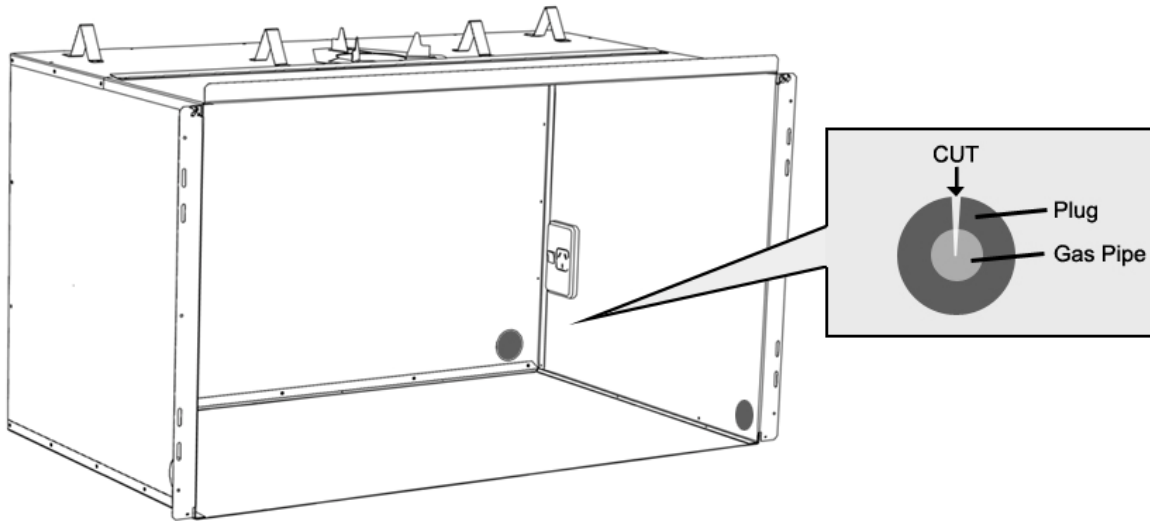
Gas pipe should be sized as per the requirements of AS5601. The pipe sizing must be sufficient to deliver the following volume of gas to the heater with all other gas appliances in the home running at the same time;

IB 850 = 42Mj/hr

IB 600 = 36Mj/hr

10.1 This fire has been supplied with a 300mm long flexible inlet connection to make connecting the gas supply easy and safe. Solid pipe should be run to within 100mm of the front right hand corner of the fire and connected to the end of the supplied flexible hose via a 15mm flared union (Supplied with the Gas Fire).

- 10.2 The Outer Skin Kit has 4 possible entry points for solid gas pipe, on the four corners of the kit. Each is sealed by a 'knock-out'. Remove only the knock-out which you require, and place the supplied rubber plug into the hole. You will need to make a small cut into the rubber plug to allow the gas pipe to pass through, keeping the plug as air-tight as possible.

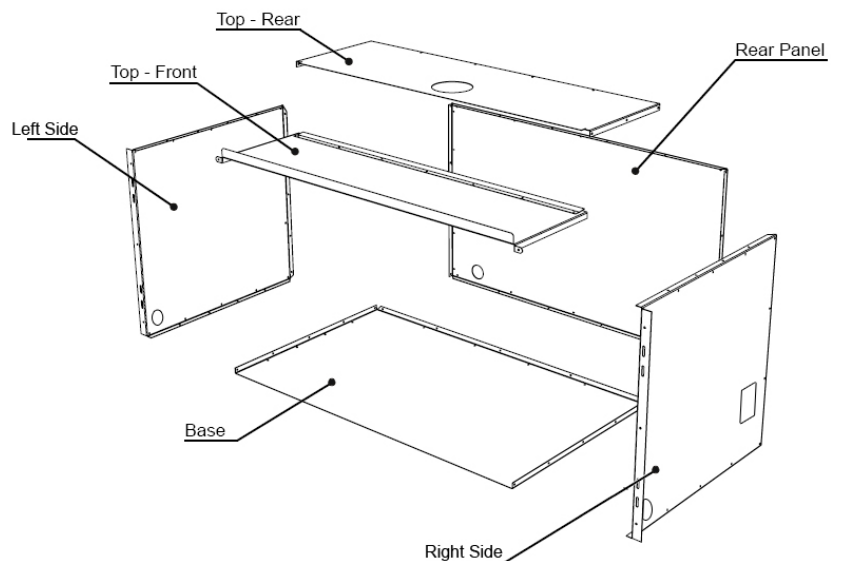


- 10.3 This flexible pipe should be attached to the copper supply pipe and the joint tested to ensure gas tightness. The end of the flexible connection pipe has a flare fitting and nut to suit ½ inch (12.7mm) copper pipe

11.0 Assembling the Outer Skin Kit:

Included in the OSK is:

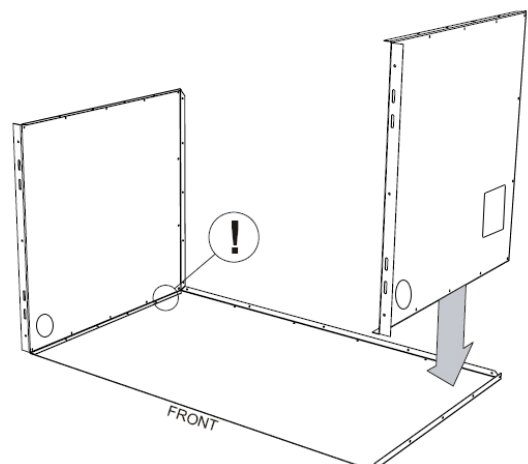
- 1x Top-Rear panel
- 1x Top-Front panel
- 2x Side panels
- 1x Rear panel
- 1x Base panel



11.1 Attach the Sides to the Base:

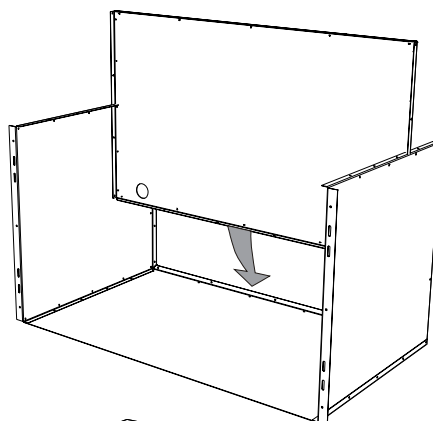
Attach Side panels to Base, make sure Base panel flanges are on the outside, and the large flange of the Side panels faces the front.

The Right Side has a rectangular cutout, It is important that this is on the right hand Side and that the circular knock-outs are At the base of the Outer Skin Kit as pictured.

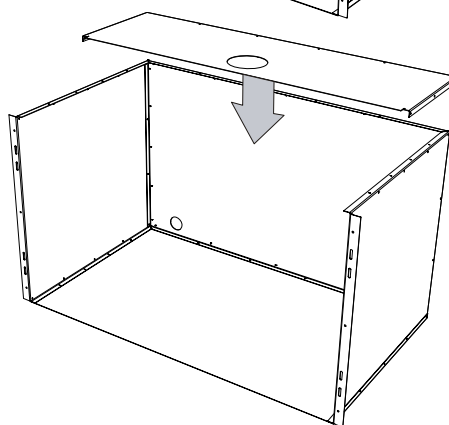


11.2 Attach the Rear to the Sides and Base:

The rear panel fits inside the Side and Base panels, make sure the flanges on the Side and Base panels are on the outside. The two holes on the Rear panel go towards the bottom.

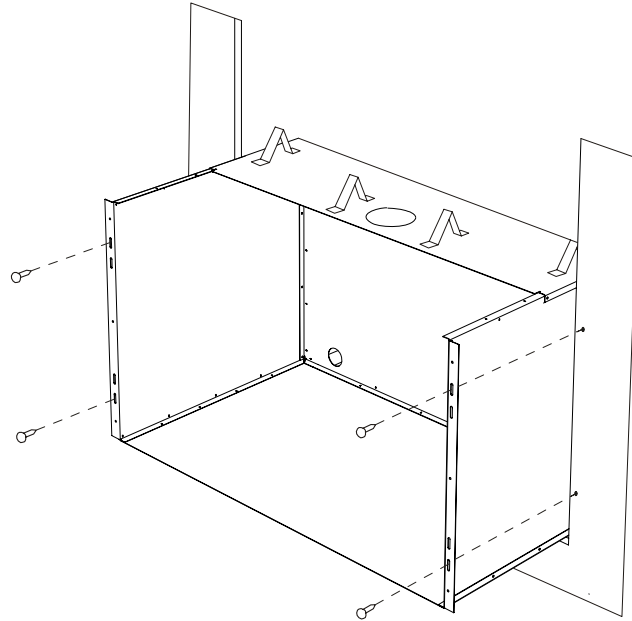
**11.3 Attach the Top-Rear:**

Attach the top-rear panel to the Sides and Rear panels, with the flanges of the Top-rear panel on the outside. Do not attach Top-Front panel yet, This will be done after the flue has been mated with the fire.



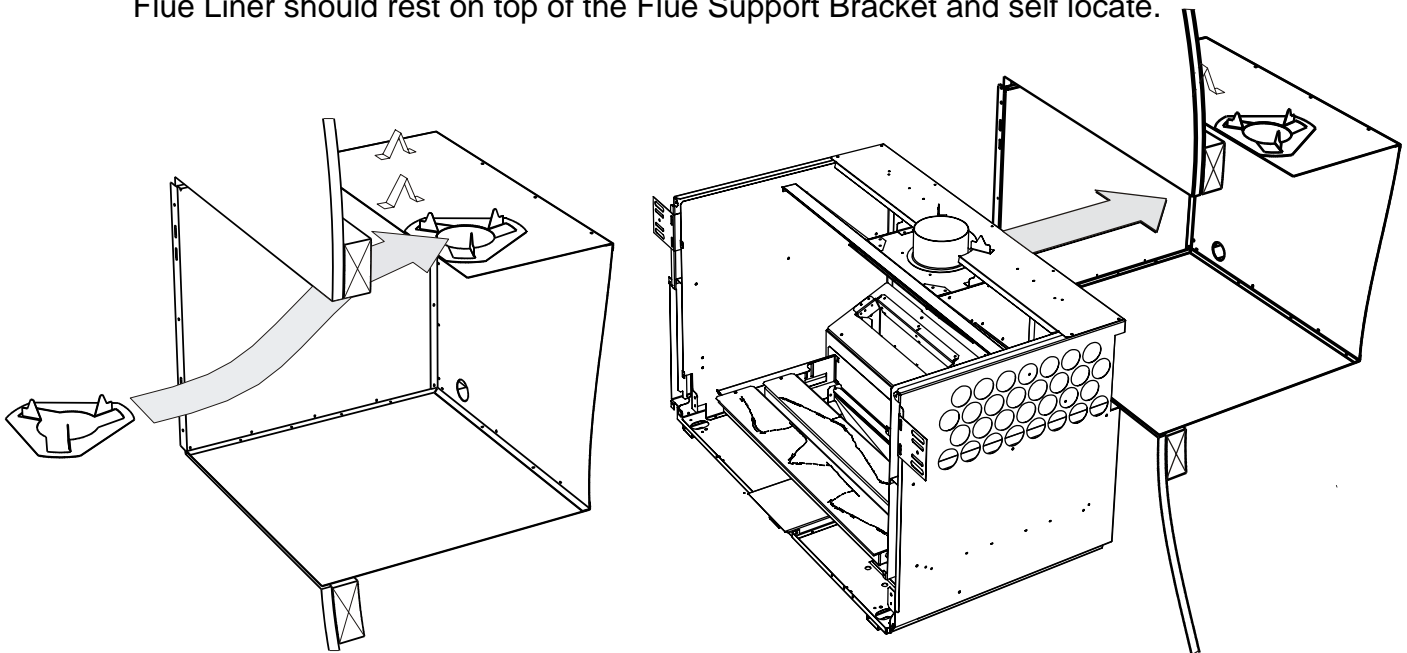
12.0 Fix the Outer Skin Kit (OSK) into the cavity:

Slide the OSK into the cavity, ensuring the gas pipe passes through the grommet at the back of the OSK and is within 100mm of the front right hand corner. Secure the OSK to the wall using screws or other fasteners through the slots at the front of the Side panels.



13.0 Insert the Flue Support Bracket:

Place the Flue Support Bracket in line with the flue hole on the Top-Rear panel. The Flue should be ready to pass through the hole in the OSK and mate with the Gas Fire Spigot. The Flue Liner should rest on top of the Flue Support Bracket and self locate.



14.0 Preparing the heater for installation into the Outer Skin Kit (OSK):

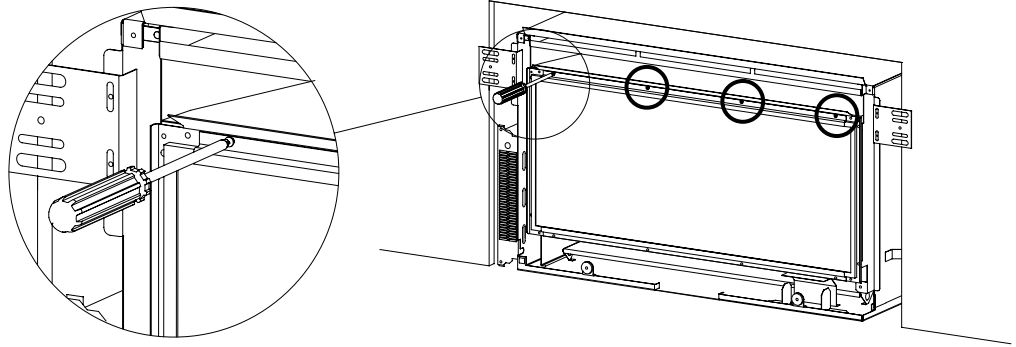
The spacer brackets on the top, sides and back of heater **MUST** be bent and re-fixed as per instructions in section 2.1, before heater is pushed into the cavity.

The heater can now be pushed into the cavity.

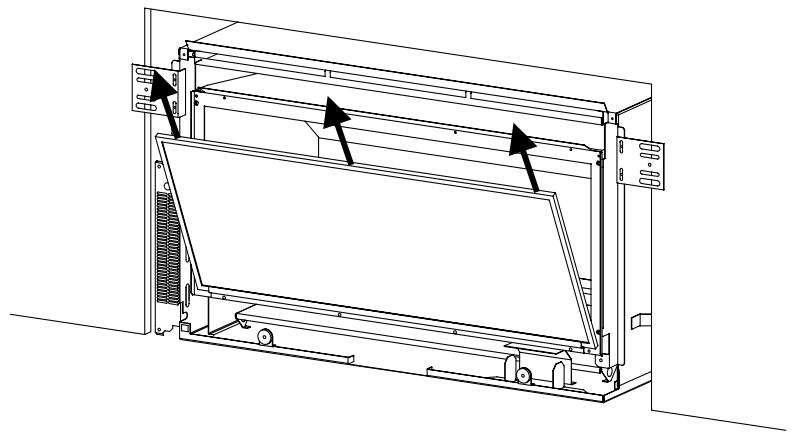
Please consider how the fire will be fixed to the base before installing. Refer to 18.1 for details

15.0 Removing the front glass:

Step 1: Unscrew the top glass retainer and remove it. Take care that the glass does not fall forwards at this stage



Step 2: Lift out glass and place it carefully aside.

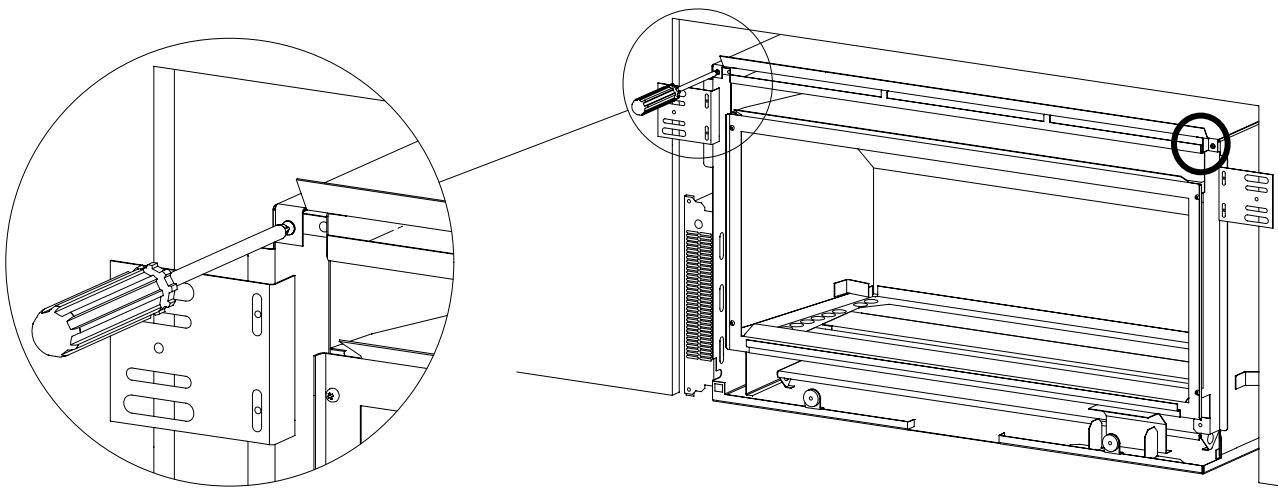


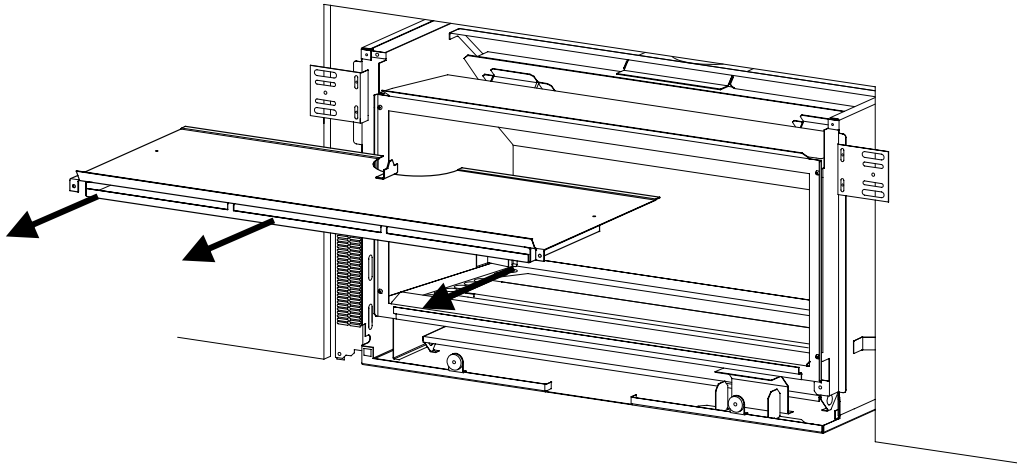
16.0 Connecting Flue to Heater:

This is a 7 step process and is performed after the heater has been pushed into position in the cavity and before fascia panels have been fitted.

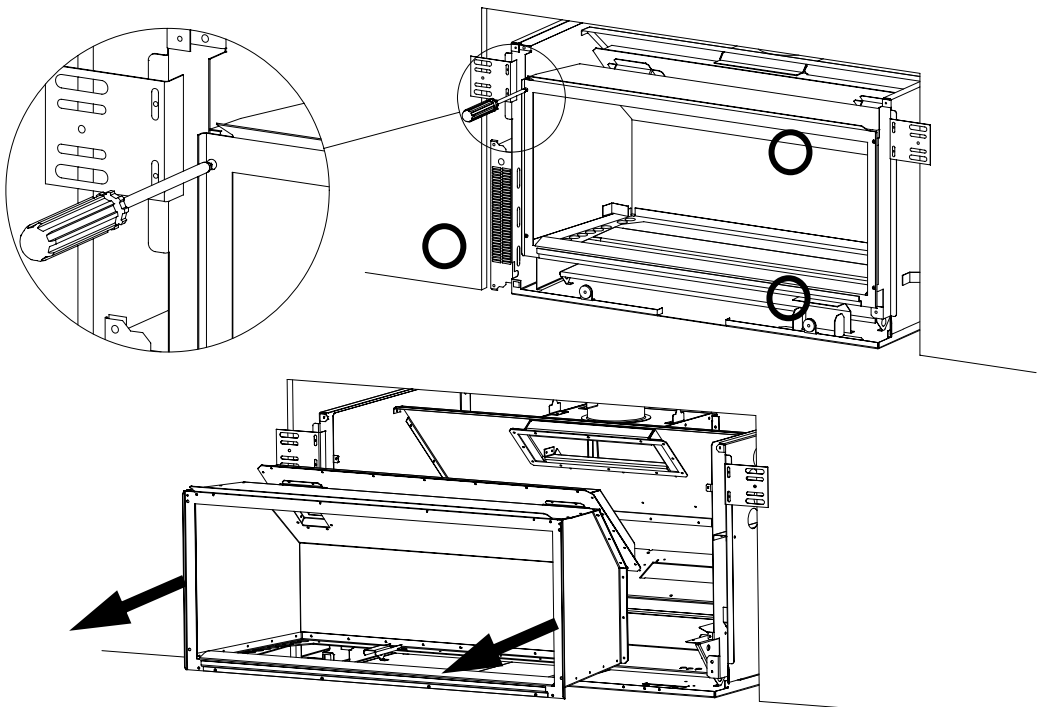
- 1) Remove glass as shown above.
- 2) Remove the log set and its associated packaging from the fire box.
- 3) Remove the top of the heater outer shell. Take out the screw from each side (as shown below) and pull out the top of heater shell out towards yourself.

Undo screws from both sides





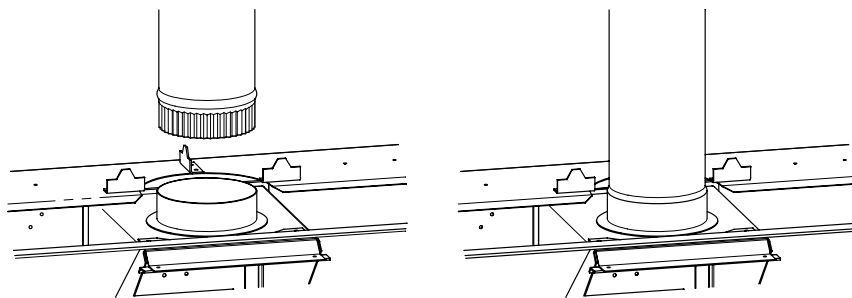
- 4) For best access we recommend removing the fire box. Undo the four screws on the front four corners of the fire box (as shown below) and pull the fire box out of the heater.



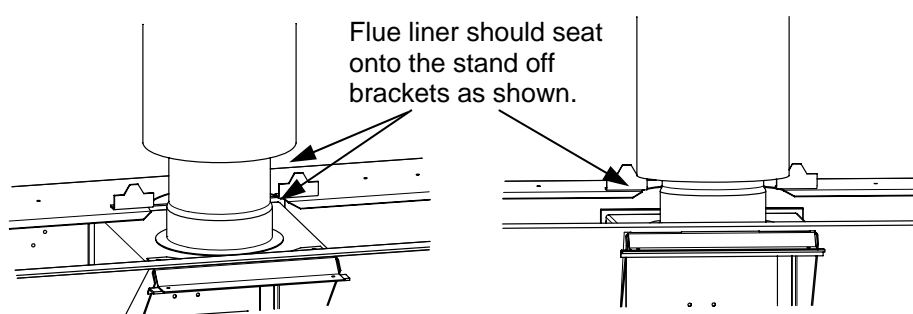
It should now be possible to reach up from inside of the heater and connect the flue to the heater's flue spigot. This junction should be made fast with both sealant and a fixing screw.

Note: Please refer to section 13 for more details.

16.1



16.2 **Note:** If installing a flue system into a framed timber wall the outer liner should not come down any further than onto the stand offs on the top of the OSK to allow unimpeded flow of air between flue and liner. Please ensure the weight of the liner is supported and not all bearing down on the OSK.



5) Replace the parts and panels that have been removed. The fire box must be completely centralised before pushing it back into place otherwise the heat exchanger will not engage with the draft diverter at the back of the appliance.

17.0 Connecting the Gas Pipe:

When the heater has been pushed back into position the 300mm flexible braided stainless steel gas pipe (supplied) can be connected to the inlet side of the appliance regulator at the front RH corner of the heater. The hose and pipe assembly should have already been tested as per section 10.2.

17.1 If the installer chooses not to use the supplied flexible inlet pipe then 12mm copper can be run directly to heater and connected onto the regulator with flare nut (BSP thread). The regulator that is supplied with the fire **MUST NOT BE REMOVED**. Removal of the regulator, or replacing it with one not intended for use with an Escea fire, will void the limited appliance warranty.

18.0 Fixing the Heater to the base and wall:

There are several ways that the heater can be fixed against movement: **It is a requirement that this heater be securely fastened to the wall and base.**

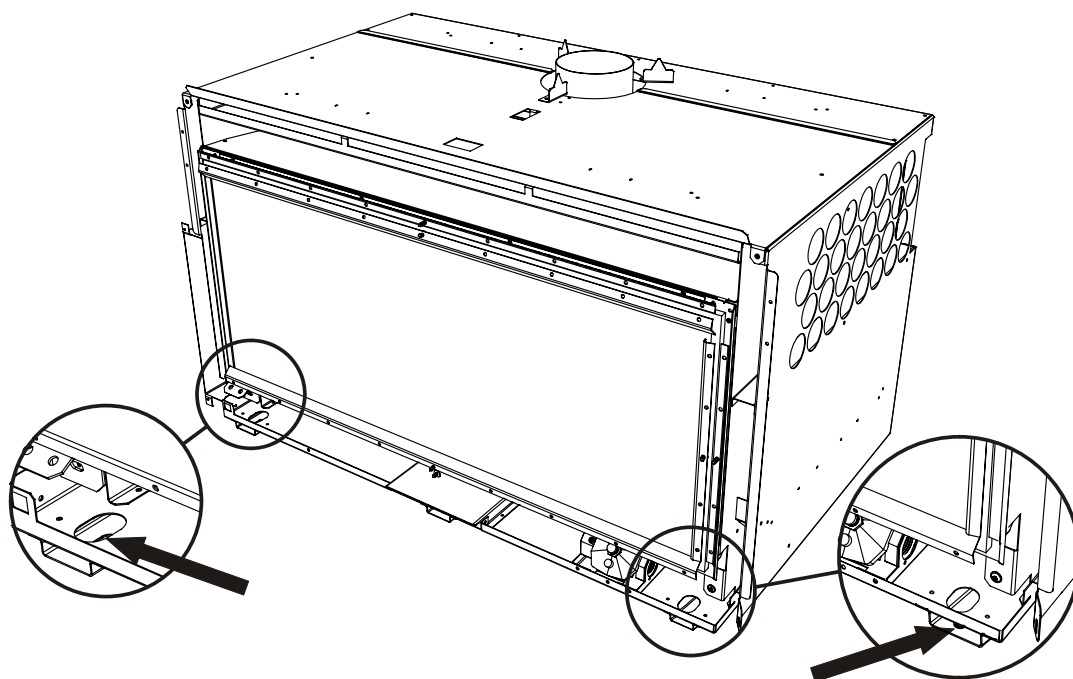
Note: It is important that the outer fascia is used during this process to ensure that the heater is located in the appropriate position within the cavity.

18.1 Fixing Heater to Base:

Please refer to 9.0 before installing the Flue

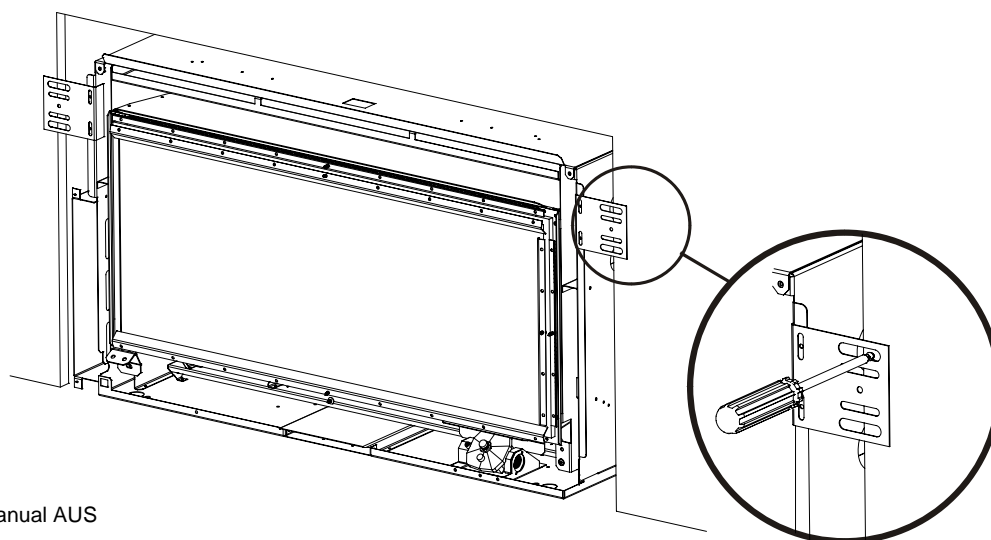
The heater has several holes along the front edge of the base panel that have been provided to allow installers to screw the heater to the floor. Because of a lack of access for drilling it may be necessary to mark the appropriate location for these screws and then remove the heater and drill holes into hard flooring.

Alternatively a socket set can be used to drive in hex headed screws.



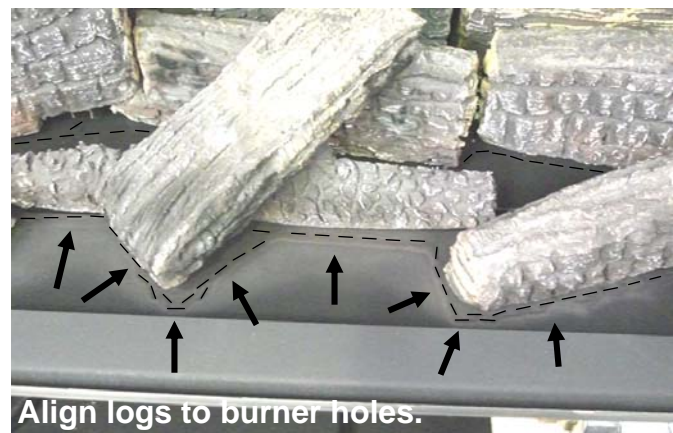
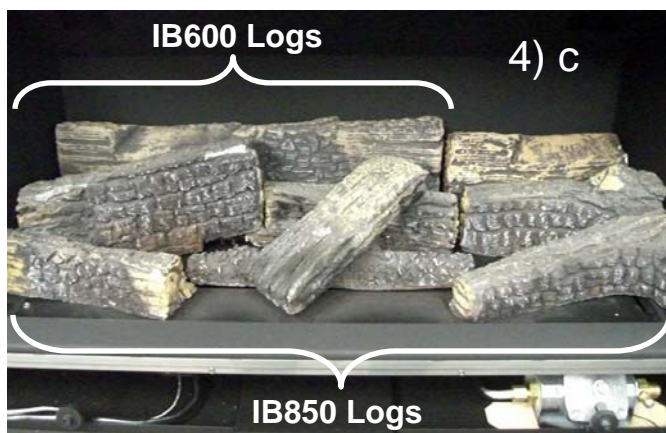
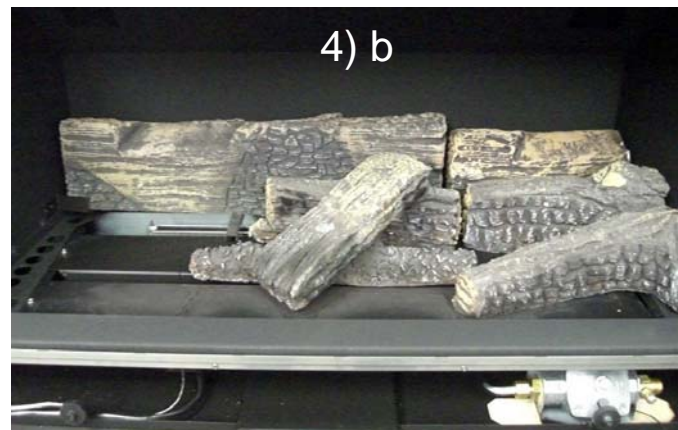
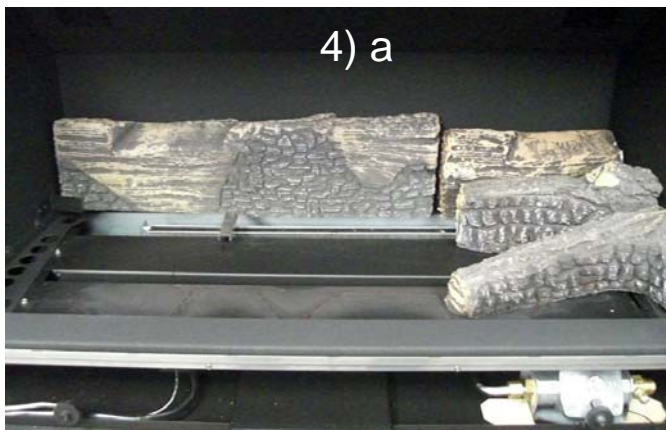
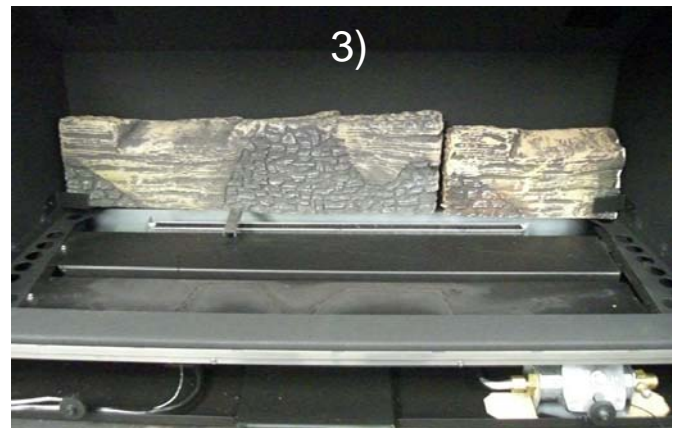
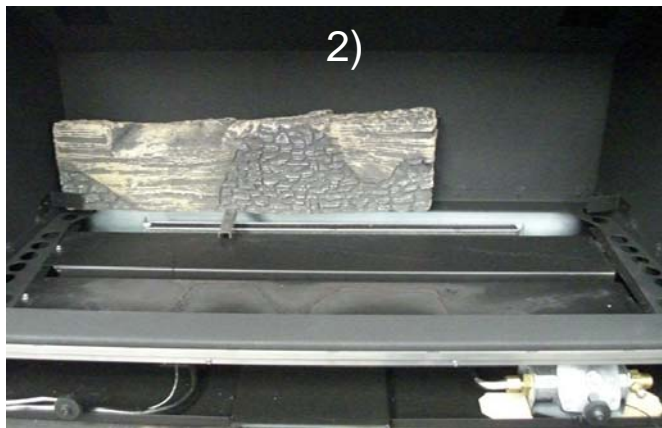
18.2 Fixing Heater to Wall:

The installer must also fix the heater to the sides of the cavity using the bracket kit provided. These brackets must be installed over the outer lining surface of the wall i.e. over the Plaster Board rather than onto a stud which is then subsequently covered with a wall lining. Otherwise the fire will be sitting too far back and will inhibit the outer Fascia panel from fitting correctly.



19.0 Locating the log set:

- 1) Remove packaging from around log sets
- 2) Place rear log (long rectangular one) into position by inserting it in behind retainer bracket.
- 3) *IB850 only*: Place the other smaller piece of rear log into the RH rear side of fire box behind its retainer bracket.
- 4) Place front three log sets into position on the log retaining brackets, over the top of the main burners. The front edge of each log should be located so that its front edge is directly behind the holes in the top of each burner which should follow the contours of the logs.



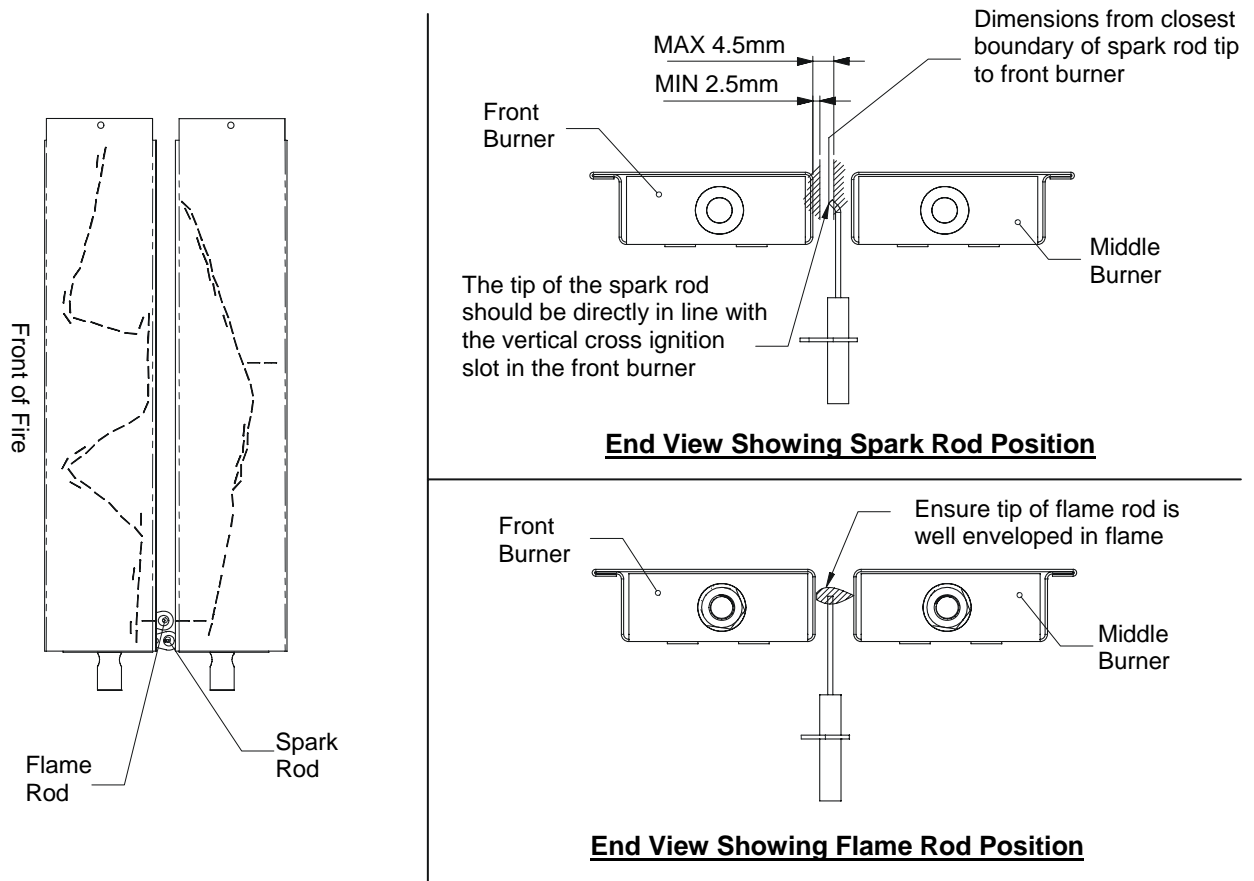
19.1 Log Replacement:

The fire unit should never be used with broken logs. Turn off the fire and allow the unit to cool before removing the glass to carefully remove the logs. If for any reason a log should need replacement, you must use the proper replacement log. The position of these logs must be as shown in the diagrams above.

Note: Improper positioning of logs may create carbon build-up and will alter the unit's performance. Malfunctioning due to improper log placement is not covered under warranty.

20.0 Electrode placement:

The placement of the electrodes is CRITICAL to the operation of the fire. These are factory set but if the event that they are moved during installation or the fire is having trouble lighting or staying lit then below is a guide to electrode placement. Ensure no logs or coals are touching the electrodes.



21.0 Checking Operating Pressure:

WARNING: The regulator that is supplied with the fire **MUST NOT BE REMOVED**.

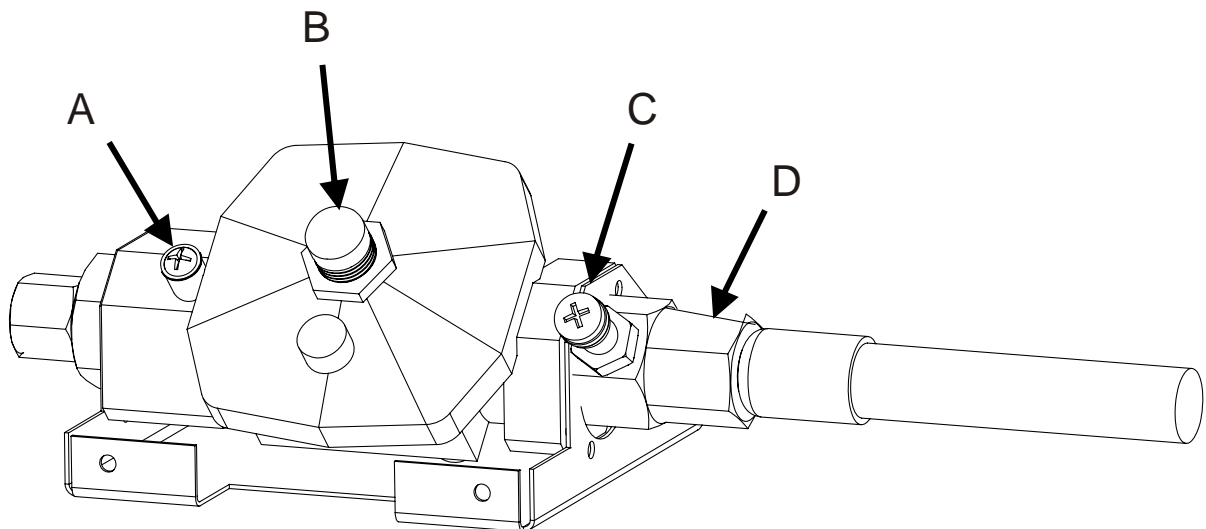
Removal of the regulator, or replacing it with one not intended for use with an Escea fire, will void the limited appliance warranty.

This is done at the regulator located at the front RH corner of the appliance.

This is best done before the fascia panels have been fitted to avoid fascia damage.

Pressure test points are available for both inlet and operating test pressure (as shown below).

- 1) Remove inlet pressure test point screw and attach manometer tube.
- 2) Run the heater on full (all three burners running) and measure inlet pressure with all the other gas appliances running. If pressure does not fall within the maximum or minimum pressures listed on the table below then reassess installation pipe size or upstream regulator settings. Replace inlet test point screw.
- 3) Remove the operating pressure test point screw. Connect manometer tube and measure pressure with heater running on full (all three burners running) and with all the other gas appliances running.
- 4) The heater regulator pressure has been factory set to 0.87KPa for Natural Gas heaters and 2.30KPa for LPG heaters. Please check that the operating pressure is exactly as listed and if not, adjust screw in centre of regulator until pressure is correct.
- 5) Replace operating test point screw and leak test both test points.



A = Operating Pressure test point

B = Pressure adjustment screw

C = Inlet pressure test point

D = Inlet gas connection.

IB850 and IB600 Pressure Table	Gas Type	
	LPG	Natural
Minimum Inlet Pressure	2.5KPa	1.2KPa
Maximum Inlet Pressure	3.5KPa	5.0KPa
Operating Pressure	2.30KPa	0.87KPa

22.0 Fitting the Fascia Panels:

To avoid scratches or knocks to the fascia panels of this heater they must be fitted at the complete conclusion of the installation process. It may be necessary to use the outer fascia to initially locate the heater but then remove it again so that there is no chance of damage.

Note; Never Ever Rub the Fascia Panels.

Step 1: Replace the glass and retaining Bracket.

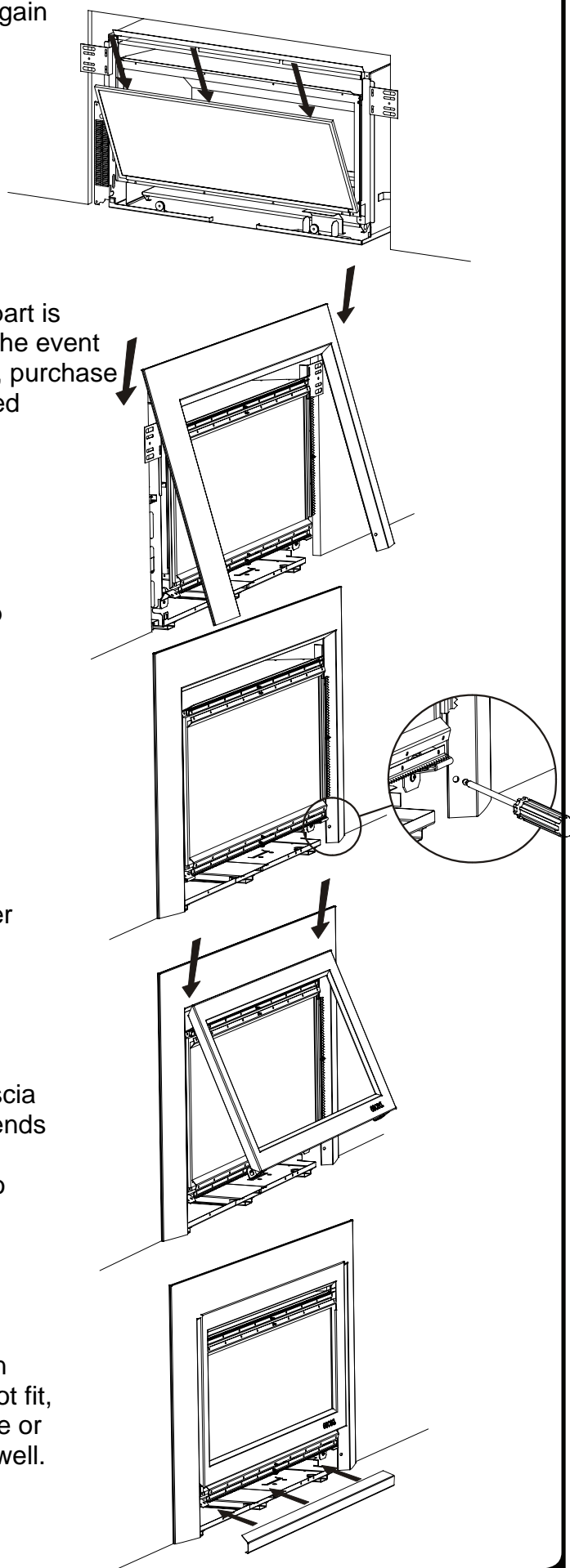
Note: If the glass gasket requires a replacement, call your nearest Escea agent who will ensure the part is replaced with the correct type. In the event that the glass is broken by impact, purchase the replacement from an authorised Escea agent only.

Step 2: Hang the outer fascia (larger one) from the lip that extends at the top of the heater at 45 degrees. If hanging a 4 sided fascia please Refer to sections 22.1 and 22.2 On the next page.

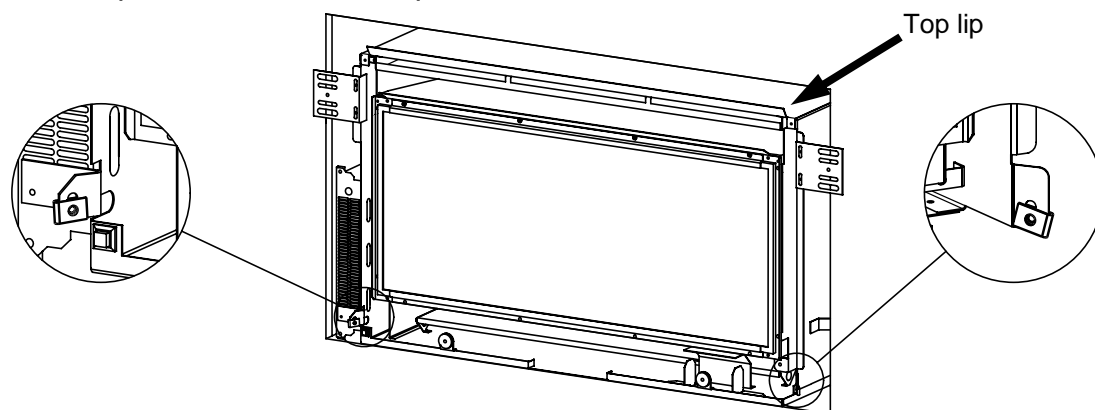
Step 3: Fit the two screws at the base of each side of this fascia. The heater may have to be adjusted in or out of the cavity to ensure fascia fits correctly.

Step 4: Hang the top edge of the inner fascia (smaller one) from the lip that extends at 45 degrees from the top of the firebox. Replace the two screws to retain inner fascia panel.

Step 5: Place the bottom fascia trim into position. This panel is also held on with magnets. If this panel does not fit, adjust the outer Fascia side to side or the heater in/out until the trim fits well.



- 22.1 When installing a 4 sided fascia ensure that the clips that the outer fascia screw into are at the bottom of the slot on which they are attached as shown below. The outer fascia should be pushed down onto the top lip so that it is as low as possible and the screw holes in the fascia line up with the lowered clips.



- 22.2 This is especially important for the IB600 as a good gap between the bottom of the 4 sided outer fascia and the removable bottom fascia strip is vital for ventilating the electronics tray. If this is not done the fire can produce an “E1” electronic over temp error.

23.0 Locating Wall Mount Cradle for wireless control;

The heaters remote contains the thermostat that will sense the room temperature and communicate this back to the heater via radio frequency.

A wall mount cradle has been provided for the wireless control and where possible the control should be housed in this cradle.

The location of this cradle should be decided by taking into account the following factors;

1. Simple, convenient access for the user
2. Away from air flow and drafts through the room
3. The parts of the room that people are likely to spend time
4. Away from direct sun light
5. A suitable distance away from the heater.
6. Ideally 1.2m to 1.5m from the floor

The radio frequency signal will go through some walls but for best results Escea suggest that the cradle position is between 5 and 15 meters away from the heater.

The best height off the ground to locate cradle is about chest height. This gives a good average room temperature and easy access for the user.

Please ensure that cradle is screwed firmly onto wall using the screws provided.



24.0 Normal Operating Sounds and Smells;

Note: Each time the fire is lit from cold the glass will fog up with condensation. This is normal and the condensation will disappear within a few minutes once the glass heats up.

24.1 Sounds

It is possible that you will hear some sounds from your gas appliance. This is perfectly normal due to the fact that there various types of materials used within your appliance. Listed below are some examples. These are all **normal operating sounds** and should not be considered as defects in you appliance.

Fan:

Escea Gas appliances use electric fans to push heated air further into the room. It is not unusual for the fan to make a “whirring” sound when ON. This sound will increase or decrease in volume depending on the speed setting of your fan.

Gas Control Valve:

As the gas control valves turn ON and OFF, a dull clicking sound may be audible, this is normal operation of a valve. When the fire is switched off after being run for a while, there may be popping and fluttering noises as the residual gas in the burner burns away. These are normal and should be no cause for concern.

Unit Body/Firebox:

Different types and thickness' of steel will expand and contract at different rates resulting in some “dull drumming” and “ticking” sounds being heard throughout the cycling process.

24.2 Smells;

The first few times the unit is operated, the unit may release an odour and the flames may appear orange caused by the curing of the paint, the burning off of the starch in the gas logs and the oils in the metal. This is a temporary curing process which will disappear with use.

A deposit on the inside of the glass, caused by the starch in the logs may appear as a build up after several uses. If this film is not removed, it may bake on and may become difficult to remove. When the glass is cold, remove it (see section 15.0) and clean the inside with a non-abrasive cleaner.

DO NOT ATTEMPT TO CLEAN THE GLASS WHILE IT IS HOT. NEVER OPERATE THE UNIT WITH THE GLASS REMOVED.

25.0 Installation Check List:

Tick here

- 1 Ensure there is adequate ventilation in the masonry cavity.
- 2 Ensure the spark electrodes are correctly positioned.
- 3 Operating pressure checked with heater running on full (all burners operating) and all other gas appliances in the house switched on.
- 4 Flue Draw checked, 5 minutes after start up.
- 5 Logs in correct position.
- 6 Heater run on high for 60 minutes with house doors and windows open to clear smell of paint and oils initial burn.
- 7 Hearth and mantle clearances comply with these instructions
- 8 No combustible materials any closer to heater than these instructions allow.
- 9 Heater fixed to wall and floor.
- 10 Leak test all joints and pressure test points. Soapy water drop test done on pipe work.
- 11 Wall mount cradle screwed to wall.
- 12 House holder has been shown how to operate heater.
- 13 Operator manual has been left out for house holder, installer has filled in their own details and heater serial number into warranty card.
- 14 Inform the customer that the fire may continue smelling for a while after installation depending on frequency & duration of use
- 15 Given House Holder Plumbing Industry Commission Compliance Certificate.